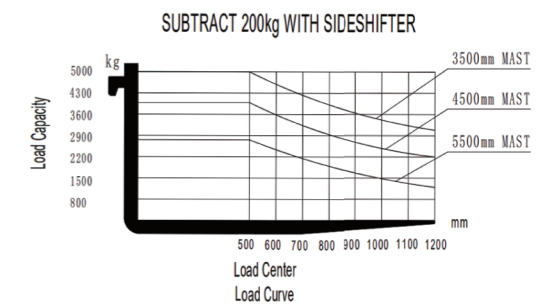
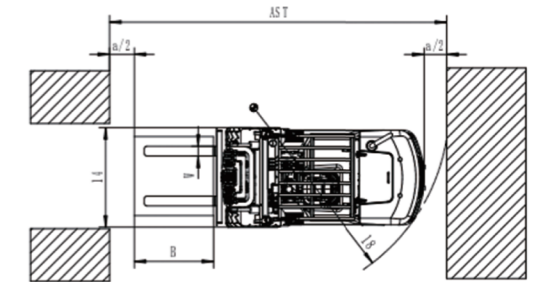
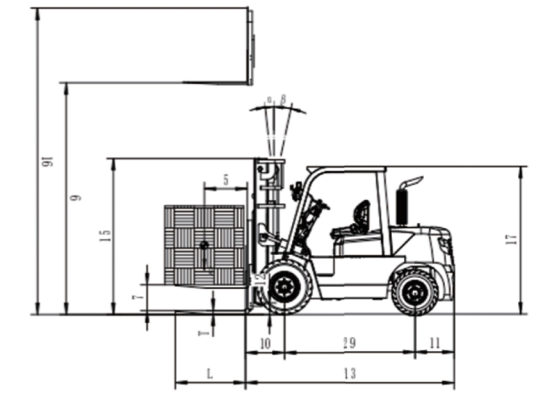




MAIN SPECIFICATIONS

		UN						
General	1 Manufacturer							
	2 Model	FD40T-NGP2	FD45T-NGP2	FD50T-XNGP2	FD40T-NJM2	FD45T-NJM2	FD50T-XNJM2	
	3 Power Type	Diesel			Diesel			
Characteristic & Dimension	4 Rated Load Capacity	Q(kg)	4000	4500	5000	4000	4500	5000
	5 Load Centre	C(mm)	500			500		
	6 Rated Lift Height	H3(mm)	3000			3000		
	7 Free Lift Height	H2(mm)	84			84		
	8 Fork Size (L×W×T)	mm	1070×150×50			1070×150×50		
	9 Mast Tilt Angle (F/R, α°/β°)	deg	6°/12°			6°/12°		
	10 Fork Overhang (Wheel Center to Fork Face)	X1(mm)	578			578		
	11 Rear Overhang	X2(mm)	550	570	614	550	570	614
	12 Ground Clearance (Bottom of Mast)	H7(mm)	175			175		
	13 Length to Face of Fork (Without Fork)	L1(mm)	3091		3125	3091		3125
	14 Overall Width	B1(mm)	1485			1485		
	15 Mast Lowered Height	H1(mm)	2260			2260		
	16 Mast Extended Height (With Backrest)	H4(mm)	4266			4266		
	17 Overhead Guard Height	H5(mm)	2260			2260		
	18 Turning Radius (Outside)	Wa(mm)	2790		2830	2790		2830
	19 Min. Aisle width for pallets	Ast(mm)	4640		4680	4640		4680
	Performance	20 Travel Speed (No Load)	km/h				22	
21 Lifting Speed (No Load/Full Load)		mm/sec	450		430	450		430
22 Lowering Speed (No Load/Full Load)		mm/sec	480			480		
23 Max. Drawbar Pull (Full Load)		KN	>21			>21		
Chassis	24 Max. Gradeability (Full Load)	%	≥20%			≥20%		
	25 Tyre (Front x 2)	mm	300-15-18PR			300-15-18PR		
	26 Tyre (Rear x 2)	mm	7.00-12-12PR			7.00-12-12PR		
	27 Front Tread	B2(mm)	1180			1180		
	28 Rear Tread	B3(mm)	1190			1190		
	29 Wheelbase	Y(mm)	2000			2000		
	Weight	30 Total Weight	kg	6600	6800	7100	6600	6800
31 Front Axle Weight Distribution (Full Load)		kg	9010	9750	10500	9010	9750	10500
32 Rear Axle Weight Distribution (Full Load)		kg	1590	1550	1600	1590	1550	1600
33 Front Axle Weight Distribution (No Load)		kg	2750	2710	2680	2750	2710	2680
34 Rear Axle Weight Distribution (No Load)		kg	3850	4090	4420	3850	4090	4420
35 Battery		V/Ah	24/80			24/80		
36 Engine Model			4DX23-82GG3U			S6S(EU11)		
37 Engine Manufacturer			Xichai			Mitsubishi		
38 Rated Output / r.p.m.		kw	60/2200			52/2300		
39 Rated Torque / r.p.m.		N·m	320/1400~1700			248/1700		
Power & Transmission	40 No. of Cylinder		4			6		
	41 Bore x Stroke	mm	102x118			94 x 120		
	42 Displacement	L	3.857			4.966		
	43 Fuel Tank Capacity	L	90			90		
	44 Transmission Type		Powershift			Powershift		
	45 Transmission Stage (FWD/RVS)		2/1			2/1		
	46 Operating Pressure (For Attachments)	Mpa	19			19		



Specifications and characteristics are subject to change without notice. Please contact us for detailed information.

MAST SPECIFICATIONS & RATED CAPACITIES

Mast Type	Mast Name	Max. Fork Height (mm)	(500mm) Load Capacity (kg)						Overall Height (mm)		Free Lift (mm)		Tilt Angle	Total Weight (kg)			
			FD40T	FD40T (Double)	FD45T	FD45T (Double)	FD50T	FD50T (Double)	Lowered	Extended		Without Backrest		With Backrest	FD40T	FD45T	FD50T
										Without Backrest	With Backrest						
Wide View Mast	RM300	3000	4000	4200	4500	4750	5000	5300	2260	3735	4266	139	139	6-12	6305	6505	6805
	RM330	3300	4000	4200	4500	4750	5000	5300	2410	4035	4566	139	139	6-12	6385	6585	6885
	RM350	3500	4000	4200	4500	4750	5000	5300	2510	4235	4766	139	139	6-12	6455	6635	6935
	RM370	3700	4000	4200	4500	4750	4850	5150	2610	4435	4966	139	139	6-12	6505	6685	6985
	RM400	4000	4000	4200	4500	4750	4650	4850	2810	4735	5266	139	139	6-6	6705	6905	7205
	RM430	4300	3800	4000	4200	4450	4300	4600	2960	5035	5566	139	139	6-6	6805	7055	7355
	RM450	4500	3600	3800	4000	4250	4200	4500	3060	5235	5766	139	139	6-6	6905	7125	7425
	RM470	4700	3300	3500	3700	3950	3800	4100	3160	5435	5966	139	139	6-6	6955	7155	7455
	RM500	5000	3000	3200	3500	3750	3650	3900	3310	5735	6266	139	139	6-6	7005	7205	7505
	RM550	5500	2300	2500	2700	2950	2800	3100	3560	6235	6766	139	139	3-6	7255	7455	7705
RM600	6000	2000	2200	2400	2650	2500	2800	3860	6735	7266	139	139	3-6	7405	7605	7905	
3-Stage Full Free Wide View Mast	TFM400	4000	3800	4000	4300	4550	4600	4900	2205	4659	5190	1379	1100	6-6	7155	7355	7655
	TFM430	4300	3400	3600	3800	4050	4100	4400	2320	5004	5535	1494	1125	6-6	7355	7555	7855
	TFM450	4500	3300	3500	3700	3950	4000	4300	2370	5154	5685	1544	1175	6-6	7455	7655	7955
	TFM470	4700	3000	3200	3300	3500	3600	3900	2435	5349	5880	1609	1240	6-6	7505	7705	8005
	TFM500	5000	2800	3000	3100	3300	3400	3700	2535	5649	6180	1709	1340	6-6	7565	7765	8065
	TFM550	5500	2300	2500	2600	2850	2900	3200	2700	6144	6675	1874	1430	3-6	7605	7865	8165
TFM600	6000	1800	2000	2000	2250	2300	2600	2970	6654	7185	2044	1775	3-6	7765	7965	8265	

With Separated Side shifter, load capacity subtract 200Kg, With Integrated side shifter, load capacity subtract 100Kg.

4.0T-Mini 5.0T Diesel Forklift N Series Forklift Truck

The International UN Team

